

1560 Series

Concealed Electromagnetic Shear Locks



SDC's HiShear® electromagnetic shear locks are designed, engineered and built in America for openings that require an architecturally superior appearance. Recognized as a cut above alternatives on the market, SDC shear locks provide high security with a failsafe locking mechanism to meet a variety of door opening applications. **The patented HiShear® design incorporates** a floating armature assembly and special alloy steel locking tabs on both the lock and armature assemblies, that may be adjusted both vertically and laterally to compensate for wide door gaps and warped or misaligned doors. Advanced electronic circuitry incorporates a door alignment relock sensor as well as an automatic sensing dual voltage input. Noise dampeners greatly reduce the noise associated with locking and unlocking when compared to other shear locks on the market.

HiShear® magnetic shear locks are ideal for use on commercial grade hollow metal and wood doors with metal frames and Herculite doors with top rails.

The innovative 1560 series concealed electromagnetic shear locks are available with 2000lbs and 2700lbs holding force for standard 1¾" to 2" frames with internal electronics, as well as narrow 1¼" to 1½" frames with external electronics.



1561ITC 1565ITC
 1561FTC 1565FTC
 1561HTC 1565HTC
 1561HTR 1565HTR

1562ITC 1566ITC
 1562FTC 1566FTC
 1562HTC 1566HTC
 1562HTR 1566HTR

MODELS

- 1561** Concealed Shear Lock, Integrated Electronics, 2000lbs
- 1562** Concealed Shear Lock, External Electronics, 2000lbs
- 1565** Concealed Shear Lock, Integrated Electronics, 2700lbs
- 1566** Concealed Shear Lock, External Electronics, 2700lbs

STANDARD FEATURES

- Fully concealed mortise design
- Floating armature assembly
- Special alloy steel shear tabs
- Auto-sensing dual voltage
- Door alignment relock sensor
- Adjustable lateral and vertical alignment
- Noise dampeners

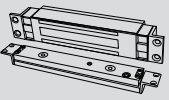
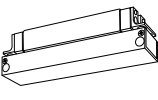


OPTIONAL FEATURES

- Door position status (DPS)
- Bond alert status (BAS)
- Visual status indicator (LED)*

* Mounts separately through the frame and may be used to indicate lock is energized or wired to monitoring contacts.



CROSS REFERENCE

Series	1560	1562SC	1561S	1561TJ
				
Type	Concealed	Semi-Concealed	Surface	Surface Top Jamb
Integrated Electronics	1561 1565	-----	1561S	1561TJ
External Electronics	1562 1566	1562SC 1562SCHDB 1562SCHDB3/4	-----	-----

[CLICK TO VIEW](#)

[CLICK TO VIEW](#)

[CLICK TO VIEW](#)

SPECIFICATIONS

	1561	1562	1565	1566
Housing	Aluminum	Aluminum	Aluminum	Aluminum
Mount	Mortise	Mortise	Mortise	Mortise
Holding Force	2,000 lbs	2,000 lbs	2,700 lbs	2,700 lbs
Dimensions	8" x 1½" x 1⅝" Lock 8⅞" x 1⅜" x ⅞" Armature	8" x 1½" x 1¼" Lock 8⅞" x 1⅜" x ⅞" Armature	10⅞" x 1½" x 1⅝" Lock 11" x 1⅜" x ⅞" Armature	10⅞" x 1½" x 1⅞" Lock 11" x 1⅜" x ⅞" Armature
Weight	5 lbs	5 lbs	7 lbs	7 lbs
Input	12/24 VDC ± 10% Auto-sensing	12/24 VDC ± 10% Auto-sensing	12/24 VDC ± 10% Auto-sensing	12/24 VDC ± 10% Auto-sensing
Current Draw	350 mA @ 24 VDC 650 mA @ 12 VDC	350 mA @ 24 VDC 650 mA @ 12 VDC	400 mA @ 24 VDC 800 mA @ 12 VDC	400 mA @ 24 VDC 800 mA @ 12 VDC
Monitoring Contacts	SPDT 250 mA @ 30 VDC Resistive	SPDT 250 mA @ 30 VDC Resistive	SPDT 250 mA @ 30 VDC Resistive	SPDT 250 mA @ 30 VDC Resistive



CERTIFICATIONS

UL 10C Positive Pressure Fire Tests of Door Assemblies
 ULC-S104 Standard Method for Fire Tests of Door Assemblies
 ULC-S533 Egress Door Securing and Releasing Devices

Uniform Building Code Standard 7-2 Fire Test of Door Assemblies (1997)



HOW TO ORDER

FOLLOW STEPS FOR ORDERING

Designates optional step

1| SPECIFY MODEL

- 1561** Concealed Shear Lock, Integrated Electronics, 2000lbs
- 1562** Concealed Shear Lock, External Electronics, 2000lbs
- 1565** Concealed Shear Lock, Integrated Electronics, 2700lbs
- 1566** Concealed Shear Lock, External Electronics, 2700lbs

2| SPECIFY ARMATURE KIT*

- ITC** 7/8" to 1 1/8" Inverted Top Channel
- FTC** Flush Top Channel
- HTC** Herculite Deep 1 1/4" Channel
- HTR** Herculite Top Rail Adjustment Bracket

* See installation instructions for complete armature kit details.

3| SPECIFY OPTIONS

- D** Door Position Status (DPS)
- B*** Bond Alert Status (BAS)
- L**** Visual Status Indicator (LED)

* Not available for 1562 or 1566 models.

** Mounts separately through the frame and may be used to indicate lock is energized or wired to monitoring contacts.

STEP NUMBER:	1	2	3
ORDERING EXAMPLE:	1561	ITC	D B



RELATED PRODUCTS

REPLACEMENT ARMATURE KITS

- ITCM*** Armature Kit, 7/8" to 1 1/8" Inverted Top Channel
- ITC**** Armature Kit, 7/8" to 1 1/8" Inverted Top Channel
- FTCM*** Armature Kit, Flush Top Channel
- FTC**** Armature Kit, Flush Top Channel
- HTCM*** Armature Kit, Herculite Deep 1 1/4" Channel
- HTC**** Armature Kit, Herculite Deep 1 1/4" Channel
- HTRM*** Armature Kit, Herculite Top Rail Adjustment Bracket
- HTR**** Armature Kit, Herculite Top Rail Adjustment Bracket

* For 1561 and 1562 models only.

** For 1565 and 1566 models only.

WOOD DOOR REINFORCEMENT BOXES

- WDRBM*** Reinforcement Box, 1" x 1 1/2" x 8 1/2"
- WDRB**** Reinforcement Box, 1" x 1 1/2" x 11"



* For 1561 and 1562 models only.

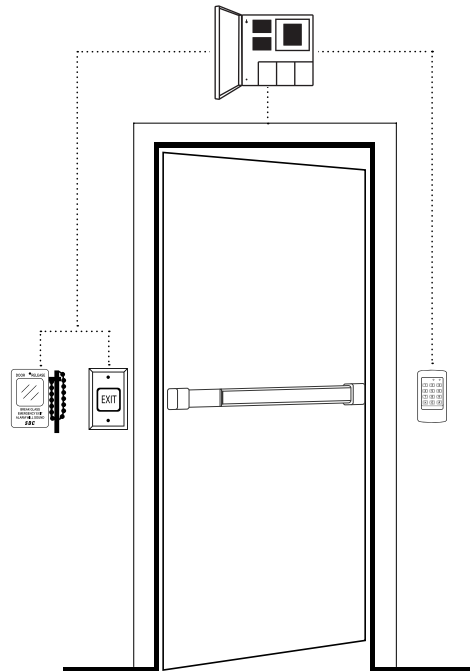
** For 1565 and 1566 models only.

COMPONENT CONSIDERATIONS

EGRESS DEVICES

[CLICK TO VIEW](#)

SDC egress devices are designed for the release of magnetic locks and the activation of delayed egress locks installed on non-latching doors. Request-to-exit push bars provide uninhibited egress through access-controlled openings equipped with magnetic locks, while eliminating the need for prior knowledge of egress operation and enabling egress with a single natural motion. Request-to-exit push bars also eliminate the need for wall mounted exit switches requiring prior knowledge to unlock the door.



EMERGENCY DOOR RELEASES

[CLICK TO VIEW](#)

SDC's line of emergency door releases (EDR's) are designed to provide a physical method of unlocking an electronic lock in the event of an emergency and may influence the approval of an electric locking system. EDR's are usually fitted to emergency exit doorways in higher security areas. Our EDR's can initiate the release of an individual door or all doors on the same circuit and provide an auxiliary contact remote monitoring, CCTV activation or alarm activation.



KEYPADS & READERS

[CLICK TO VIEW](#)

SDC has a variety of digital keypad and proximity card access control system equipment to meet any need. SDC's keypads and readers are engineered to provide real-world door control of a single opening up to 100 doors, such as indoor, outdoor and PC-based systems, while ensuring fire and life safety code compliance along with superior expandability and flexibility in authorization identification, authentication, access approval and accountability of entities through login credentials.



POWER CONTROLLERS

[CLICK TO VIEW](#)

SDC access control power supplies have been developed specifically to support access controls and electric locking hardware. They are UL listed and provide filtered and regulated linear DC power, with optional control logic, component interface, alarm interface and battery back-up to meet the requirements of single and multiple access-controlled openings. The circuitry design is ideal for the inductive loads generated by access control hardware for high performance and longevity.



EXIT SWITCHES & SENSORS

[CLICK TO VIEW](#)

SDC offers a variety of exit button and push button styles and contact configurations to fit several request-to-exit application needs. Additionally, SDC's wave-to-open switches and motion sensors provide hands free compliance and convenience for touchless applications using proven infrared detection technology. A simple wave of the hand in front of our touchless switch models activates the switch to control electric locks/strikes, magnetic locks or automatic door operators for entry or egress.

